

Portable Power Station

Hisolar[®]



<https://cnhisolar.net/>

**BUSINESS
BROCHURE**

1993-NOW

FOCUS OVER 30 YEARS
ALWAYS INNOVATE AND LEAD

<https://cnhisolar.net/>

ZHEJIANG JINGYING NEW ENERGY CO.,LTD

Add: Room 102-1, Building 8, Robot Industrial Park, No. 176, Yanyun Road,
Kunpeng Street, Dongtou District, Wenzhou, Zhejiang

TEL: +8613905874507

<https://cnhisolar.net/> hisolar@cnhisolar.com

.....
We sincerely hope that the manual could bring you convenience!
We reserve the rights of modification for the standard, technical specification and size which referred in this manual, because
of technic improved and time going. Forgive no further notice if any modification.
All copyrights of written informations and pictures belong to our company. Reprinting and piracy are prohibited.



储能电源规格书

Specification of Power Station

PEP-S300

Customized Services(Sockets, USB Ports, Design, etc.,) are Provided for you



Capacity: 300 wh



浙江精英新能源有限公司

Zhejiang JingYing New Energy Co., Ltd.

目录 INDEX

1. 应用环境 Application environment
2. 功能特点 Functional features
3. 电源性能指标 Electrical Parameters
 - 3.1 基本电气特性 Basic Specification
 - 3.2 逆变器输出部分 Inverter
 - 3.3 Type-C 输入/输出部分 Type-C Input/Output
 - 3.4 USB 输出部分 USB Output
 - 3.5 USB 快充 QC3.0 输出部分 Quick Charge QC3.0 Output
 - 3.6 DC 输出部分 DC Output
 - 3.7 点烟口输出 Cigarette Lighter Output
 - 3.8 无线充输出 Wireless Charge Output
 - 3.9 DC 充电部分 DC Input
 - 3.10 电池组部分 Battery Packs
 - 3.11 安全规格 Safety
 - 3.12 电磁兼容性 EMC
 - 3.13 老化测试标准 Aging test standards
4. 结构参数 Mechanical requirement (单位:mm Unit: mm)
 - 4.1 产品图片 Photo of the product
 - 4.2 产品尺寸 Size of the product
 - 4.3 铭牌 Nameplate
5. 工作环境 Operating Environment
6. 注意事项 Precautions

1. 应用环境 Application Environment

1.1 作为储能电源户外办公用电，可以连接手机、平板电脑、笔记本等消费类数码设备。

As an energy storage power for outdoor/office use, it can be connected with mobile phones, tablet computers, laptops and other consumer digital devices.

1.2 户外摄影、越野爱好者野外用电，电视台的摄录设备的户外用电。

Outdoor photography and off-road enthusiasts use electricity in the field, as well as outdoor electricity for TV camera equipment.

1.3 户外照明用电。Electricity consumption for outdoor lighting.

1.4 矿山、油田、地质勘探、地质灾害救援的应急用电。

Emergency electricity for mine, oil field, geological exploration and geological disaster rescue.

1.5 电信部门野外检修应急用.Emergency electricity for field maintenance of telecom department.

1.6 医疗设备小型微型急救仪器应急用电.Medical equipment small and micro emergency equipment emergency electricity.

1.7 工作环境温度-0°C— +45°C，储存环境温度-10°C— +65°C，工作环境湿度 20%— 90%RH 无冷凝现象(无结露)，储存环境湿度：5%— 95%RH 无冷凝现象(无结露)，海拔高度≤2000 米，自然冷却。Working environment temperature: -0°C -- +40°C, storage environment temperature: -10°C -- +65°C, working environment humidity: 20% -- 90%RH no condensation (no condensation), storage environment humidity: 5% -- 95%RH no condensation (no condensation), altitude ≤ 2000m, natural cooling.

2. 功能特点 Functional features

2.1 容量高、功率大，内置锂电池，备用时间长、转换效率高，容易携带。High capacity, high power, built-in lithium battery, long standby time, high conversion efficiency, easy to carry.

2.2 正弦波电压电流输出，适应各种不同的负载（40%额定功率的容性负载、60%额定功率感性负载、100%额定功率的阻性负载）。Pure Sine Wave output, suitable for various loads (capacitive load of 40% rated power, inductive load of 60% rated power, resistive load of 100% rated power).

2.3 本产品逆变部分为单相离线逆变器.The inverter of this product is single-phase off-line inverter.

2.4 本产品具备三个 USB 输出，具有独立的 OCP、OVP、短路保护，有 ID 自动识别功能。This product has three USB outputs, independent OCP, OVP, short circuit protection, and automatic ID identification function.

2.5 本产品具备一个 PD 快充功能输入/输出（共口），额定功率 60W。This product has a PD input/output port with rated power 60W.

2.6 适配器和车充均能输入的宽范围输入电压充电方式，输入电压范围 12-30V。Wide range of input voltage charging mode that can be input by adapter and car charger, 4.0*1.7mm DC head DC input, input voltage range 12-30V.

2.7 具备两个独立的直流输出插口 13V/5A（Max）和一个点烟器输出 13V/10A(Max)。

There are two separate DC output with 13V/5A (Max) and one Cigarette Output with 13V/10A(Max)

2.8 全面的保护：输入欠压、输出过压、过载、短路、过温。Full protection: input under voltage, output overvoltage, overload, short circuit, over temperature.

浙江精英新能源有限公司

Zhejiang JingYing New Energy Co., Ltd.

3.电源性能指标 Electrical parameters

3.1 基本电气特性 Basic Specification

型号 Model No.:	PEP-S300
容量 Capacity :	296Wh/ 14.8V 20Ah
电芯型号 Battery	汇亿 Li-ion ICR18650-25C
输出电压 The output voltage	美国/USA 120V±10% 日本/Japan 100V±10%
输出频率 Output frequency	60Hz±2Hz
规格参数 Specification	Input DC: 19V 3.78A Type- C: PD60W 5V3A/9V3A/12V3A/15V3A/20V3A Output: AC: 300W Pure Sine Wave TYPE-C: PD60W 5V3A/9V3A/12V3A/15V3A/20V3A USB (QC3.0) : 5V3A/9V2A/12V1.5A USB (普通口: 5V 2.4A x 2 DC: 13V 5A *2 13V10A*1 无线充 Wireless charge: 10W
输出过载保护 Output overload protection	400W±50W
出货电量 (SOC before delivery)	60%~ 70%
产品尺寸 Dimension(mm)	215.1*159.8*162mm ± 0.5mm
产品净重 Net weight (kg)	3.35Kg

3.2 逆变器输出部分 Inverter

输入欠压保护 Input under voltage protection	12.0±0.5V
空载耗电电流 No load consumes electrical current	≤0.6A
输出电压 The output voltage	美规: 120V±10% 日规: 100V±10%
输出频率 Output frequency	60Hz±2Hz

浙江精英新能源有限公司

Zhejiang JingYing New Energy Co., Ltd.

输出额定功率 Rated Output Power(AC)	300W
满载工作效率 Full load efficiency	≥85%
输出过载保护 Output overload protection	400W±50W
输出短路保护 Output short circuit protection	Yes
负载适应性 Load adaptability	40%额定功率的容性负载、60%额定功率感性负载、100%额定功率的阻性负载 Capacitive load of 40% rated power, inductive load of 60% rated power, resistive load of 100% rated power

3.3 TYPE-C 输入/输出部分 Type-C Input/Output

电池欠压保护 Battery under-voltage protection	12.0±0.5V
空载耗电电流 No load consumes electrical current	≤45mA
输出电压 Output voltage	PD 5V/9V/12V/15V/20V ±5%
纹波噪音 Ripple noise	≤300mVp-p
输出额定电流 Input/ Output rated current	3A
输出过流保护 Output overcurrent protection	3.6A±0.5A
满载工作效率 Full load efficiency	≥89%
输出短路保护 Output short circuit protection	Yes

3.4 USB 输出部分 USB Output

电池欠压保护 Battery under voltage protection	12.0±0.5V
空载耗电电流 No load consumes electrical current	≤45mA
输出电压 Output voltage	5V±5%
纹波噪音 Ripple noise	≤300mVp-p
输出额定电流 Output rated current	2.4A

浙江精英新能源有限公司

Zhejiang JingYing New Energy Co., Ltd.

输出过流保护 Output overcurrent protection	3.1A±0.5A
满载工作效率 Full load efficiency	≥89%
输出短路保护 Output short circuit protection	Yes

3.5 USB 快充 QC3.0 输出部分 Quick Charge QC3.0 Output

电池欠压保护 Battery under-voltage protection	12.0±0.5V
空载耗电电流 No load consumes electrical current	≤45mA
输出电压 The output voltage	5V/9V/12V±5%
纹波噪音 Ripple noise	≤300mVp-p
输出额定电流 Output rated current	3A/2A/1.5A
输出过流保护 Output overcurrent protection	3.6A±0.5A/2.6A±0.5A/1.2.1A±0.5A
满载工作效率 Full load efficiency	≥89%
输出短路保护 Output short circuit protection	Yes

3.6 DC 输出部分 DC Output

电池欠压保护 Battery under voltage protection	13.0±0.5V
空载耗电电流 No load consumes electrical current	≤50mA
输出电压 The output voltage	13V±5%
输出额定电流 Output rated current	13V/5A
输出过流保护 Output overcurrent protection	5.6A±0.5A
满载工作效率 Full load efficiency	≥95%

浙江精英新能源有限公司

Zhejiang JingYing New Energy Co., Ltd.

输出短路保护 Output short circuit protection	Yes
--	-----

3.7 点烟口输出 Cigarette Lighter Output

电池欠压保护 Battery under voltage protection	$13.0 \pm 0.5V$
空载耗电电流 Unloading Power Consumption	$\leq 50mA$
输出电压 Output voltage	$13V \pm 5\%$
输出额定电流 Output rated current	13V/10A
输出过流保护 Output overcurrent protection	$10.6A \pm 0.5A$

3.8 无线充输出 Wireless charge Output

输出功率 Output Power	10W
-------------------	-----

3.9 DC 充电部分 DC Input

输入额定电压 Input rated voltage	19V
输入电压范围 Input voltage range	12V-30V
输入电流范围 Input current range	3A-4A
电池组充电截止电压 Battery pack charging cut-off voltage	$16.8V \pm 0.2V$

3.10 电池组部分 Battery Packs

电芯型号 Batteries models		汇亿 Li-ion ICR18650-25C
电芯规格 Batteries specifications	标称电压 Nominal voltage	3.7V
	最大充电电压 Maximum charging voltage	$4.2 \pm 0.05V$
	放电终止电压 Discharge Cut-off voltage	$2.75 \pm 0.05V$
	最大放电电流 Maximum discharge current	2C

浙江精英新能源有限公司

Zhejiang JingYing New Energy Co., Ltd.

	标准放电电流 The standard of discharge current	0.5C
	标称容量 Nominal Capacity(Typical)	2500mAh@0.2C
	最小容量 Nominal Capacity(Minimum)	2400mAh@0.2C
	工作温度 Working temperature	充电温度 Charge: 0°C-45°C
		放电温度 Discharge: -20°C-60°C
存储环境温度 Storage environment temperature	-10°C— +45°C	
电芯连接方式 Cell connection mode		4 串 8 并 4S8P
电池组过充保护 Battery overcharge protection		16.8V±0.2V
电池组过放保护 Battery over discharge protection		11.2V
电池组过流保护 Battery overcurrent protection		75 A
电池组短路保护 Short circuit protection for battery pack		Yes
关机状态消耗电流(自耗电) Current consumption in shutdown state (self-consumption)		≦1mA

3.11 安全规格 (Safety)

3.11.1 The power station shall be compliant with the following Criterion:

电源安全性满足下列标准

- ① CE
- ② FCC
- ③ PSE
- ④ UN38.3

3.11.2 绝缘性能 (Insulation Performance)

3.11.2.1 绝缘阻抗 (Insulation Impedance)

Note: Primary to Secondary:10 MΩ Min. (Supply 500 VDC) 初级对次级:10MΩ 最小(提供 500VDC)

3.11.2.2 绝缘耐压 (Insulation withstand voltage)

Note: Primary to Secondary 初级对次级:2000VAC 5mA 60S Disconnect the AC ground and output negative terminal. 交流地和输出负极要断开。

3.12 电磁兼容性(EMC)

3.12.1 电磁干扰 (EMI)

电源电磁干扰满足下列规则:

The power station shall be compliant with the following Criterion:

浙江精英新能源有限公司 Zhejiang Jing Ying New Energy Co., Ltd.

辐射干扰度 (Radiated Emission) :

*EN55022, CLASS B

*GB9254, CLASS B

*FCC PART15 CLASS B

3.12.2 电磁抗扰 (EMS)

电源电磁抗扰满足下列规则:

The power station shall be compliant with the following Criterion:

1) ESD (静电抗扰度) *GB17626.2-1998/IEC61000-4-2

2) EFT (脉冲群抗扰度) *GB17626.4-1998/IEC61000-4-4 1KV

3.13.老化测试标准 Aging test standard

充放电总时间 The total time of charge and discharge:

放电总时间: 30 分钟 Total discharge time: 30 minutes

充电总时: 6-12 小时 Total charging time: 6-12hours

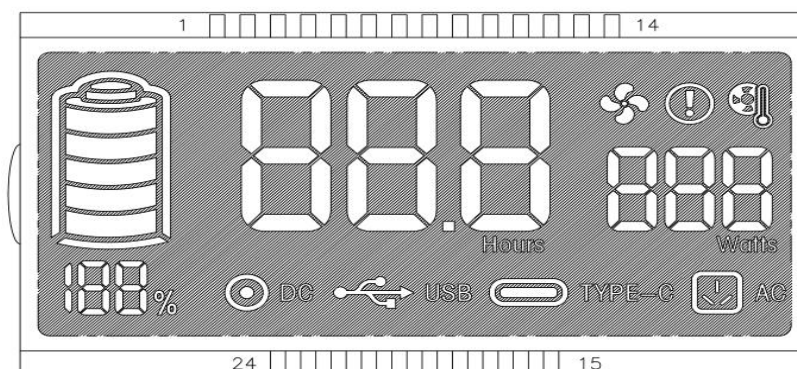
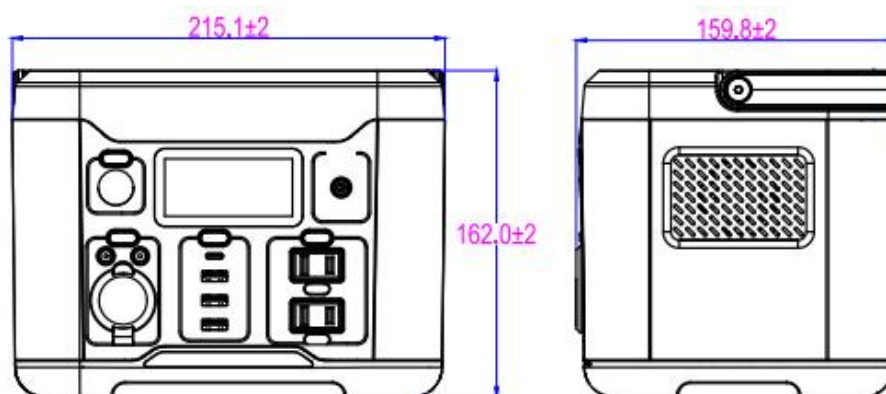
(备注: 以上均在标准充放电后进行时间测试)

4. 结构参数 Mechanical requirement (单位 Unit: mm)

4.1 产品照片 Photo of product



4.2 产品尺寸 Size of product



4.3 铭牌 Nameplate

成品铭牌 Product nameplate



浙江精英新能源有限公司

Zhejiang JingYing New Energy Co., Ltd.

5.工作环境(Operating Environment)

5.1 环境温度 (Temperature)

* Operating: 0°C to +45°C. * Storage: -10°C to +65°C.

5.2 环境湿度 (Humidity)

* Operating: From 20% to 90% relative humidity (non-condensing).

* Storage: From 5% to 95% relative humidity (non-condensing).

5.3 海拔高度 (Altitude)

* Operating: to 2000m. * Storage: to 2000m.

5.4 冷却方式 (Cooling Method)

* Ventilation cooling . 自然冷却

5.5 振动耐受 (Vibration)

* 10-55Hz, 49.0m/s²(5G), 3minutes period, 60minutes each along X, Y and Z axis.

5.6 冲击耐受 (Impact)

* 196.1m/s²(20G),11ms, once each X, Y and Z axis.

6. 注意事项 Precautions

6.1 请勿放在高温环境中或火边烘烤，或在太阳底下暴晒。

Do not put in high temperature environment or fire side baking, or in the sun in the sun.

6.2 请勿置于水中或在室外淋雨。

Do not put it in water or out in the rain.

6.3 请勿在使用环境范围以外的环境使用。

Do not use outside the scope of the environment.

6.4 当应用逆变器时，请消费者使用获得官方认证许可的电气和电子设备。

When applying inverters, consumers are requested to use electrical and electronic equipment that is officially certified and approved.

(Note: All above are tested after standard charge and discharge)

PEP-S500

Customized Services(Sockets, USB Ports, Design, etc.) are Provided for you



Capacity: 500 wh



浙江精英新能源有限公司 Zhejiang JingYing New Energy Co., Ltd.

目录 INDEX

1. 应用环境 Application environment
2. 功能特点 Functional features
3. 电源性能指标 Electrical Parameters
 - 3.1 基本电气特性 Basic Specification
 - 3.2 逆变器输出部分 Inverter
 - 3.3 Type-C 输出部分 Type-C Output
 - 3.4 USB 输出部分 USB Output
 - 3.5 USB 快充 QC3.0 输出部分 Quick Charge QC3.0 Output
 - 3.6 DC 输出部分 DC Output
 - 3.7 点烟口输出 Cigarette Lighter Output
 - 3.8 无线充输出 Wireless Charge Output
 - 3.9 DC 充电部分 DC Input
 - 3.10 电池组部分 Battery Packs
 - 3.11 安全规格 Safety
 - 3.12 电磁兼容性 EMC
 - 3.13 老化测试标准 Aging test standards
4. 结构参数 Mechanical requirement (单位:mm Unit: mm)
 - 4.1 产品图片 Photo of the product
 - 4.2 产品尺寸 Photo of the product
 - 4.3 铭牌 Nameplate
5. 工作环境 Operating Environment
6. 注意事项 Precautions

1. 应用环境 Application Environment

1.1 作为储能电源户外办公用电，可以连接手机、平板电脑、笔记本等消费类数码设备。

As an energy storage power for outdoor/office use, it can be connected with mobile phones, tablet computers, laptops and other consumer digital devices.

1.2 户外摄影、越野爱好者野外用电，电视台的摄录设备的户外用电。

Outdoor photography and off-road enthusiasts use electricity in the field, as well as outdoor electricity for TV camera equipment.

1.3 户外照明用电。Electricity consumption for outdoor lighting.

1.4 矿山、油田、地质勘探、地质灾害救援的应急用电。

Emergency electricity for mine, oil field, geological exploration and geological disaster rescue.

1.5 电信部门野外检修应急用。Emergency electricity for field maintenance of telecom department.

1.6 医疗设备小型微型急救仪器应急用电。Medical equipment small and micro emergency equipment emergency electricity.

1.7 工作环境温度-0°C— +45°C，储存环境温度-10°C— +65°C，工作环境湿度 20%— 90%RH 无冷凝现象(无结露)，储存环境湿度：5%— 95%RH 无冷凝现象(无结露)，海拔高度≤2000 米，自然冷却。Working environment temperature: -0°C -- +40°C, storage environment temperature: -10°C -- +65°C, working environment humidity: 20% -- 90%RH no condensation (no condensation), storage environment humidity: 5% -- 95%RH no condensation (no condensation), altitude ≤ 2000m, natural cooling.

2. 功能特点 Functional features

2.1 容量高、功率大，内置锂电池，备用时间长、转换效率高，容易携带。High capacity, high power, built-in lithium battery, long standby time, high conversion efficiency, easy to carry.

2.2 正弦波电压电流输出，适应各种不同的负载（40%额定功率的容性负载、60%额定功率感性负载、100%额定功率的阻性负载）。Pure Sine Wave output, suitable for various loads (capacitive load of 40% rated power, inductive load of 60% rated power, resistive load of 100% rated power).

2.3 本产品逆变部分为单相离线逆变器。The inverter of this product is single-phase off-line inverter.

2.4 本产品具备三个 USB 输出，具有独立的 OCP、OVP、短路保护，有 ID 自动识别功能。This product has three USB outputs, independent OCP, OVP, short circuit protection, and automatic ID identification function.

2.5 本产品具备一个 PD 快充功能输入/输出（共口），额定功率 60W。This product has a PD input/output port with rated power 60W.

2.6 适配器和车充均能输入的宽范围输入电压充电方式，输入电压范围 12-30V。Wide range of input voltage charging mode that can be input by adapter and car charger, 4.0*1.7mm DC head DC input, input voltage range 12-30V.

2.7 具备两个独立的直流输出插口 13V/5A (Max) 和一个点烟器输出 13V/10A(Max)。

There are two separate DC output with 13V/5A (Max) and one Cigarette Output with 13V/10A(Max)

2.8 全面的保护：输入欠压、输出过压、过载、短路、过温。Full protection: input under voltage, output overvoltage, overload, short circuit, over temperature.

浙江精英新能源有限公司 **Zhejiang JingYing New Energy Co., Ltd.**

3.电源性能指标 Electrical parameters

3.1 基本电气特性 Basic Specification

型号 Model No.:	PEP-S500
容量 Capacity :	515Wh/ 14.8V 34.8Ah
电芯型号 Battery	东磁 Li-ion INR1860-29E
输出电压 The output voltage	美国/USA 120V±10% 日本/Japan 100V±10%
输出频率 Output frequency	60Hz±2Hz
规格参数 Specification	Input DC: 19V 3.78A Type- C: PD60W 5V3A/9V3A/12V3A/15V3A/20V3A Output: AC: 500W Pure Sine Wave TYPE-C: PD60W 5V3A/9V3A/12V3A/15V3A/20V3A USB (QC3.0) : 5V3A/9V2A/12V1.5A x 1 USB (普通口) : 5V 2.4A x 3 DC Output: 13V 5A x 2 13V 10A x 1 无线充 Wireless charge: 10W
输出过载保护 Output overload protection	600W±50W
出货电量 (SOC before delivery)	SOC 60%~ 70%
产品尺寸 Dimension(mm)	259.2*170.6*170.9mm± 2mm
产品净重 Net weight (kg)	5.2Kg

3.2 逆变器输出部分 Inverter

输入欠压保护 Input under voltage protection	12.0±0.5V
空载耗电电流 No load consumes electrical current	≤0.6A
输出电压 The output voltage	美国/USA 120V±10% 日本/Japan 100V±10%
输出频率 Output frequency	60Hz±2Hz
输出额定功率 Rated Output Power(AC)	500W

浙江精英新能源有限公司 Zhejiang JingYing New Energy Co., Ltd.

满载工作效率 Full load efficiency	≥85%
输出过载保护 Output overload protection	6000W±50W
输出短路保护 Output short circuit protection	Yes
负载适应性 Load adaptability	40%额定功率的容性负载、60%额定功率感性负载、100%额定功率的阻性负载 Capacitive load of 40% rated power, inductive load of 60% rated power, resistive load of 100% rated power

3.3 TYPE-C 输出部分 Type-C Output

电池欠压保护 Battery under-voltage protection	12±0.5V
空载耗电电流 No load consumes electrical current	≤45mA
输出电压 Output voltage	PD 5V/9V/12V/15V/20V ±5%
纹波噪音 Ripple noise	≤300mVp-p
输出额定电流 Input/ Output rated current	3A
输出过流保护 Output overcurrent protection	3.6A±0.5A
满载工作效率 Full load efficiency	≥89%
输出短路保护 Output short circuit protection	Yes

3.4 USB 输出部分 USB Output

电池欠压保护 Battery under voltage protection	12±0.5V
空载耗电电流 No load consumes electrical current	≤45mA
输出电压 Output voltage	5V±5%
纹波噪音 Ripple noise	≤300mVp-p
输出额定电流 Output rated current	2.4A

浙江精英新能源有限公司 Zhejiang JingYing New Energy Co., Ltd.

输出过流保护 Output overcurrent protection	3.1A±0.5A
满载工作效率 Full load efficiency	≥89%
输出短路保护 Output short circuit protection	Yes

3.5 USB 快充 QC3.0 输出部分 Quick Charge QC3.0 Output

电池欠压保护 Battery under-voltage protection	12±0.5V
空载耗电电流 No load consumes electrical current	≤45mA
输出电压 The output voltage	5V/9V/12V±5%
纹波噪音 Ripple noise	≤300mVp-p
输出额定电流 Output rated current	3A/2A/1.5A
输出过流保护 Output overcurrent protection	3.6A±0.5A/2.6A±0.5A/2.1A±0.5A
满载工作效率 Full load efficiency	≥89%
输出短路保护 Output short circuit protection	Yes

3.6 DC 输出部分 DC Output

电池欠压保护 Battery under voltage protection	12±0.5V
空载耗电电流 No load consumes electrical current	≤50mA
输出电压 The output voltage	13V±5%
输出额定电流 Output rated current	13V/5A
输出过流保护 Output overcurrent protection	5.6A±0.5A
满载工作效率 Full load efficiency	≥95%

浙江精英新能源有限公司 **Zhejiang JingYing New Energy Co., Ltd.**

输出短路保护 Output short circuit protection	Yes
--	-----

3.7 点烟口输出 Cigarette Lighter Output

电池欠压保护 Battery under voltage protection	$13 \pm 0.5V$
空载耗电电流 Unloading Power Consumption	$\leq 50mA$
输出电压 Output voltage	$13V \pm 5\%$
输出额定电流 Output rated current	13V/10A
输出过流保护 Output overcurrent protection	$10.6A \pm 0.5A$

3.8 无线充输出 Wireless charge Output

输出功率 Output Power	10W
-------------------	-----

3.9 DC 充电部分 DC Input

输入额定电压 Input rated voltage	19V
输入电压范围 Input voltage range	12V-30V
输入电流范围 Input current range	3A-4A
电池组充电截止电压 Battery pack charging cut-off voltage	$16.8V \pm 0.2V$

3.10 电池组部分 Battery Packs

电芯型号 Batteries models		东磁 Li-ion INR1860-29E
电芯规格 Batteries specifications	标称电压 Nominal voltage	3.7V
	最大充电电压 Maximum charging voltage	$4.2 \pm 0.05V$
	放电终止电压 Discharge Cut-off voltage	$2.75 \pm 0.05V$
	最大放电电流 Maximum discharge current	2C

浙江精英新能源有限公司 Zhejiang JingYing New Energy Co., Ltd.

	标准放电电流 The standard of discharge current	1C
	标称容量 Nominal Capacity(Typical)	2900mAh@0.2C
	最小容量 Nominal Capacity(Minimum)	2750mAh@0.2C
	工作温度 Working temperature	充电温度 Charge: 0°C-50°C
		放电温度 Discharge: -20°C-60°C
	存储环境 Storage environment	-20°C— +60°C
电芯连接方式 Cell connection mode		4 串 12 并 4S12P
电池组过充保护 Battery overcharge protection		16.8V±0.2V
电池组过放保护 Battery over discharge protection		11.2V
电池组过流保护 Battery overcurrent protection		100A
电池组短路保护 Short circuit protection for battery pack		Yes
关机状态消耗电流(自耗电) Current consumption in shutdown state (self-consumption)		1mA

3.13 安全规格 (Safety)

3.13.1 The power station shall be compliant with the following Criterion:

电源安全性满足下列标准

- ① CE
- ② FCC
- ③ PSE
- ④ UN38.3

3.13.2 绝缘性能 (Insulation Performance)

3.13.2.1 绝缘阻抗 (Insulation Impedance)

Note: Primary to Secondary:10 MΩ Min.(Supply 500 VDC) 初级对次级:10MΩ 最小(提供 500VDC)

3.13.2.2 绝缘耐压 (Insulation withstand voltage)

Note: Primary to Secondary 初级对次级:2000VAC 5mA 60S Disconnect the AC ground and output negative terminal. 交流地和输出负极要断开。

浙江精英新能源有限公司 **Zhejiang JingYing New Energy Co., Ltd.**

3.14 电磁兼容性(EMC)

3.14.1 电磁干扰 (EMI)

电源电磁干扰满足下列规则:

The power station shall be compliant with the following Criterion:

辐射干扰度 (Radiated Emission) :

*EN55022, CLASS B

*GB9254, CLASS B

*FCC PART15 CLASS B

3.14.2 电磁抗扰 (EMS)

电源电磁抗扰满足下列规则:

The power station shall be compliant with the following Criterion:

1) ESD (静电抗扰度) *GB17626.2-1998/IEC61000-4-2

2) EFT (脉冲群抗扰度) *GB17626.4-1998/IEC61000-4-4 1KV

3.15.老化测试标准 Aging test standard

充放电总时间 The total time of charge and discharge:

放电总时间:40 分钟 Total discharge time: 40 minutes

充电总时:6-12 小时 Total charging time: 6-12hours

(备注: 以上均在标准充放电后进行时间测试)

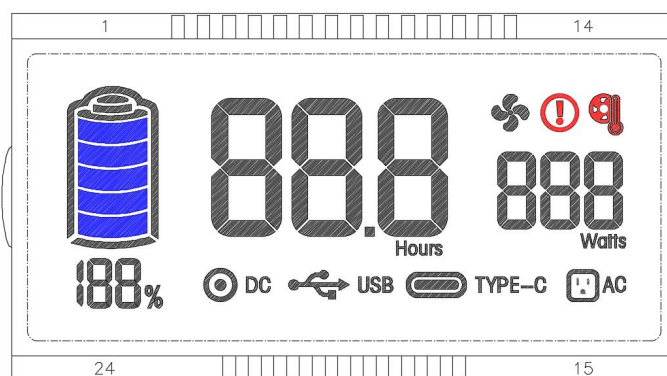
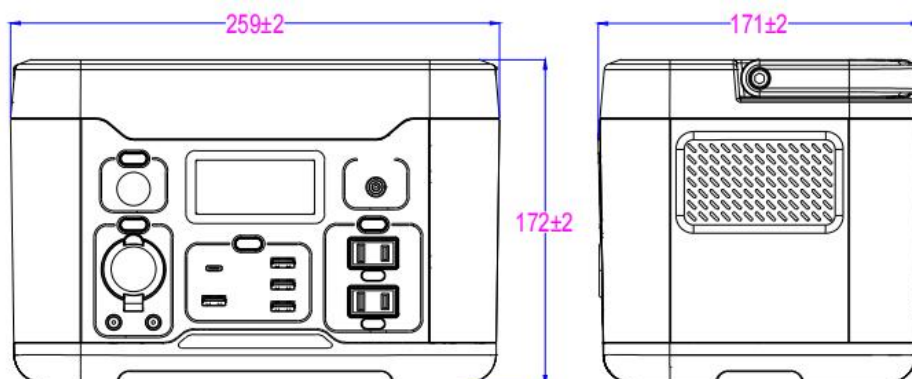
4. 结构参数 Mechanical requirement (单位 Unit: mm)

4.1 产品照片 Photo of product



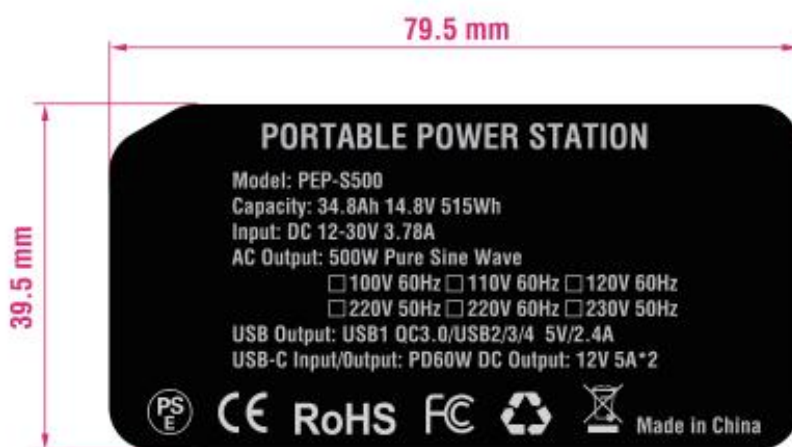
浙江精英新能源有限公司 Zhejiang JingYing New Energy Co., Ltd.

4.2 产品尺寸 Size of product



4.3 铭牌 Nameplate

成品铭牌 Product nameplate



浙江精英新能源有限公司 Zhejiang JingYing New Energy Co., Ltd.

6. 工作环境(Operating Environment)

6.1 环境温度 (Temperature)

* Operating: 0°C to +45°C. * Storage: -10°C to +65°C.

6.2 环境湿度 (Humidity)

* Operating: From 20% to 90% relative humidity (non-condensing).

* Storage: From 5% to 95% relative humidity (non-condensing).

6.3 海拔高度 (Altitude)

* Operating: to 2000m. * Storage: to 2000m.

6.4 冷却方式 (Cooling Method)

* Ventilation cooling. 自然冷却

6.5 振动耐受 (Vibration)

* 10-55Hz, 49.0m/s²(5G), 3minutes period, 60minutes each along X, Y and Z axis.

6.6 冲击耐受 (Impact)

* 196.1m/s²(20G), 11ms, once each X, Y and Z axis.

7. 注意事项 Precautions

7.1 请勿放在高温环境中或火边烘烤，或在太阳底下暴晒。

Do not put in high temperature environment or fire side baking, or in the sun in the sun.

7.2 请勿置于水中或在室外淋雨。

Do not put it in water or out in the rain.

7.3 请勿在使用环境范围以外的环境使用。

Do not use outside the scope of the environment.

7.4 当应用逆变器时，请消费者使用获得官方认证许可的电气和电子设备。

When applying inverters, consumers are requested to use electrical and electronic equipment that is officially certified and approved.

(Note: All above are tested after standard charge and discharge)

PEP-S1000

Customized Services(Sockets, USB Ports, Design, etc.) are Provided for you



Capacity: 1000 wh



目录 INDEX

1. 应用环境 Application environment
2. 功能特点 Functional features
3. 电源性能指标 Electrical Parameters
 - 3.1基本电气特性 Basic Specification
 - 3.2逆变器输出部分 Inverter
 - 3.3Type-C 输入/输出部分 Type-C Input/Output
 - 3.4Type-C 输出部分 Type-C Output
 - 3.5USB 输出部分 USB Output
 - 3.6USB 快充 QC3.0 输出部分 Quick Charge QC3.0 Output
 - 3.7DC 输出部分 DC Output
 - 3.8点烟口输出 Cigarette Lighter Output
 - 3.9DC 充电部分 DC Input
 - 3.10 无线充输出 Wireless charge output
 - 3.11 电池组部分 Battery Packs
 - 3.12 安全规格 Safety
 - 3.13 电磁兼容性 EMC
 - 3.14 老化测试标准 Aging test standards
4. 结构参数 Mechanical requirement(单位:mm Unit: mm)
 - 4.1产品照片 Photo of product
 - 4.2产品尺寸 Size of product
 - 4.3铭牌 Nameplate
5. 工作环境 Operating Environment
6. 注意事项 Precautions

1.应用环境 Application Environment

1.1 作为储能电源户外办公用电，可以连接手机、平板电脑、笔记本等消费类数码设备。

As an energy storage power for outdoor/office use, it can be connected with mobile phones, tablet computers, laptops and other consumer digital devices.

1.2 户外摄影、越野爱好者野外用电，电视台的摄录设备的户外用电。

Outdoor photography and off-road enthusiasts use electricity in the field, as well as outdoor electricity for TV camera equipment.

1.3 户外照明用电。

Electricity consumption for outdoor lighting.

1.4 矿山、油田、地质勘探、地质灾难救援的应急用电。

Emergency electricity for mine, oil field, geological exploration and geological disaster rescue.

1.5 电信部门野外检修应急用电。

Emergency electricity for field maintenance of telecom department.

1.6 医疗设备小型微型急救仪器应急用电。

Medical equipment small and micro emergency equipment emergency electricity.

1.7 工作环境温度-0°C— +45°C，储存环境温度-10°C— +65°C，工作环境湿度 20%— 90%RH 无冷凝现象(无结露)，储存环境湿度：5%— 95%RH 无冷凝现象(无结露)，海拔高度≤2000 米，自然冷却。

Working environment temperature: -0°C -- +40°C, storage environment temperature: -10°C -- +65°C, working environment humidity: 20% -- 90%RH no condensation (no condensation), storage environment humidity: 5% -- 95%RH no condensation (no condensation), altitude ≤ 2000m, natural cooling.

2.功能特点 Functional features

2.1 容量高、功率大，内置锂电池，备用时间长、转换效率高，容易携带。

High capacity, high power, built-in lithium battery, long standby time, high conversion efficiency, easy to carry.

2.2 正弦波电压电流输出，适应各种不同的负载（40%额定功率的容性负载、60%额定功率感性负载、100%额定功率的阻性负载）。

Pure Sine Wave output, suitable for various loads (capacitive load of 40% rated power, inductive load of 60% rated power, resistive load of 100% rated power).

2.3 本产品逆变部分为单相离线逆变器。

The inverter of this product is single-phase off-line inverter.

2.4 本产品具备四个 USB 输出，具有独立的 OCP、OVP、短路保护，有 ID 自动识别功能。

This product has four USB outputs, independent OCP, OVP, short circuit protection, and automatic ID identification function.

2.5 本产品具备一个 PD 快充功能输入/输出，额定功率 100W。

This product has a PD input/output port with rated power 100W.

2.6 本产品具备一个 PD 快充功能输出，额定功率 27W。

This product has a PD output port with rated power 27W.

2.7 适配器和车充均能输入的宽范围输入电压充电方式，输入电压范围 13-30V。

Wide range of input voltage charging mode that can be input by adapter and car charger, input

浙江精英新能源有限公司 Zhejiang JingYing New Energy Co., Ltd.

voltage range 13-30V.

2.8 具备两个独立的直流输出插口 13V/5A (Max) 和一个点烟器输出 13V/10A(Max)。

There are two separate DC output with 13V/5A (Max) and one Cigarette Output with 13V/10A(Max)

2.9 全面的保护：输入欠压、输出过压、过载、短路、过温。

Full protection: input under voltage, output overvoltage, overload, short circuit, over temperature.

3. 电源性能指标 Electrical parameters

3.1 基本电气特性 Basic Specification

型号 Model No.:	PEP-S1000
容量 Capacity :	1166.4Wh/ 21.6V 54Ah
电芯型号 Battery	芯驰 Li-ion 21700-4500mAh
输出电压 The output voltage	美规/USA 120V ± 10% 日规/Japan 100V ± 10%
输出频率 Output frequency	60Hz ± 2Hz
规格参数 Specification	Input DC 24V 5A Type- C: PD100W 5V3A/9V3A/12V3A/15V3A/20V5A Output: AC: 1000W Pure Sine Wave TYPE-C1: PD100W 5V3A/9V3A/12V3A/15V3A/20V5A TYPE-C2: PD27W 5V3A/9V3A/12V2.25A USB (QC3.0) : 5V3A/9V2A/12V1.5A USB (普通口) : 5V 2.4A x 2 DC : 13V 5A x 2 13V10A 无线充 Wireless charge: 10W
输出过载保护 Output overload protection	1200W ± 100W
出货电量 (SOC before delivery)	60%~ 70%
产品尺寸 Dimension(mm)	340*230.9*206mm ± 2mm
产品净重 Net weight (kg)	11.2Kg

浙江精英新能源有限公司

Zhejiang JingYing New Energy Co., Ltd.

3.2 逆变器输出部分 Inverter

输入欠压保护 Input under voltage protection	18.0±0.5V
空载耗电电流 No load consumes electrical current	≤0.6A
输出电压 The output voltage	美规/USA: 120V±10% 日规/Japan: 100V±10%
输出频率 Output frequency	60Hz±2Hz
输出额定功率 Rated Output Power(AC)	1000W
满载工作效率 Full load efficiency	≥85%
输出过载保护 Output overload protection	1200W±100W
输出短路保护 Output short circuit protection	Yes
负载适应性 Load adaptability	40%额定功率的容性负载、60%额定功率感性负载、 100%额定功率的阻性负载 Capacitive load of 40% rated power, inductive load of 60% rated power, resistive load of 100% rated power

3.3 TYPE-C 输入/输出部分 Type-C Input/Output

电池欠压保护 Battery under-voltage protection	18V±0.5V
空载耗电电流 No load consumes electrical current	≤45mA
输入/输出电压 Output voltage	PD 5V-3A/9V-3A/12V-3A/15V-3A/20V-5A ±5%
纹波噪音 Ripple noise	≤300mVp-p
输出过流保护 Output overcurrent protection	4.0A ± 0.5A
满载工作效率 Full load efficiency	≥89%
输出短路保护 Output short circuit protection	Yes

3.4 TYPE-C 输出部分 Type-C Output

电池欠压保护 Battery under-voltage protection	18V±0.5V
空载耗电电流 No load consumes electrical current	≤45mA

浙江精英新能源有限公司 Zhejiang JingYing New Energy Co., Ltd.

输出电压 Output voltage	PD 5V-2.4A/9V-3A/12V-2.25A $\pm 5\%$
纹波噪音 Ripple noise	$\leq 300\text{mVp-p}$
输出过流保护 Output overcurrent protection	5V-4A $\pm 0.5\text{A}$ /9V-3.4A $\pm 0.5\text{A}$ /12V-2.6A $\pm 0.5\text{A}$
满载工作效率 Full load efficiency	$\geq 89\%$
输出短路保护 Output short circuit protection	Yes

3.5 USB 输出部分 USB Output

电池欠压保护 Battery under voltage protection	18V $\pm 0.5\text{V}$
空载耗电电流 No load consumes electrical current	$\leq 45\text{mA}$
输出电压 Output voltage	5V $\pm 5\%$
纹波噪音 Ripple noise	$\leq 300\text{mVp-p}$
输出额定电流 Output rated current	2.4A
输出过流保护 Output overcurrent protection	2.6A+0.5A
满载工作效率 Full load efficiency	$\geq 89\%$
输出短路保护 Output short circuit protection	Yes

3.6 USB 快充 QC3.0 输出部分 Quick Charge QC3.0 Output

电池欠压保护 Battery under-voltage protection	18V $\pm 0.5\text{V}$
空载耗电电流 No load consumes electrical current	$\leq 45\text{mA}$
输出电压 The output voltage	5V/9V/12V $\pm 5\%$
纹波噪音 Ripple noise	$\leq 300\text{mVp-p}$
输出额定电流 Output rated current	3A/2A/1.5A
输出过流保护 Output overcurrent protection	3.6A $\pm 0.5\text{A}$ /3A $\pm 0.5\text{A}$ /2.25A $\pm 0.5\text{A}$
满载工作效率 Full load efficiency	$\geq 89\%$
输出短路保护 Output short circuit protection	Yes

3.7 DC 输出部分 DC Output

电池欠压保护 Battery under voltage protection	18V±0.5V
空载耗电电流 No load consumes electrical current	≤50mA
输出电压 The output voltage	13V±5%
输出额定电流 Output rated current	13V/5A
输出过流保护 Output overcurrent protection	5.7A±0.5A
满载工作效率 Full load efficiency	≥95%
输出短路保护 Output short circuit protection	Yes

3.8 点烟口输出 Cigarette Lighter Output

电池欠压保护 Battery under voltage protection	18V±5%
空载耗电电流 Unloading Power Consumption	≤50mA
输出电压 Output voltage	13V±5%
输出额定电流 Output rated current	10A
输出过流保护 Output overcurrent protection	10.7A±0.5A

3.9 DC 充电部分 DC Input

输入额定电压 Input rated voltage	24V
输入电压范围 Input voltage range	13V-24V
输入电流 Input current	5A(MAX)
电池组充电截止电压 Battery pack charging cut-off voltage	25.2V±0.2V

3.10 无线充输出 Wireless charge output

输出功率 Output Power	10W
-------------------	-----

3.11 电池组部分 Battery Packs

电芯型号 Batteries models	芯驰 21700/4500mAh	
电芯规格 Batteries specifications	标称电压 Nominal voltage	3.6V
	最大充电电压 Maximum charging voltage	4.2±0.05V
	放电终止电压 Discharge ending voltage	2.5±0.05V

浙江精英新能源有限公司 Zhejiang JingYing New Energy Co., Ltd.

	标准放电 The standard of discharge	0.5C
	最大放电电流 Maximum discharge current	1C
	标称容量 Nominal Capacity(Typical)	4500 mAh (0.5C)
	最小容量 Nominal Capacity(Minimum)	4450 mAh (0.5C)
	工作温度 Working temperature	Charge 充电: 10°C ~ 45°C
		Discharge 放电: -20°C ~ 55°C
	存储环境 Storage environment	15°C— 35°C
电芯连接方式 Cell connection mode		6 串 12 并 6S12P
电池组过充保护 Battery overcharge protection		25.2V±0.2V
电池组过放保护 Battery over discharge protection		16.5V±0.2V
电池组过流保护 Battery overcurrent protection		100A±10
电池组短路保护 Short circuit protection for battery pack		YES
关机状态消耗电流(自耗电) Current consumption in shutdown state (self-consumption)		≤1mA

3.12 安全规格 (Safety)

3.12.1 The power station shall be compliant with the following Criterion:

电源安全性满足下列标准

- ① TEL
- ② CE/FCC
- ③ PSE
- ④ UN38.3

3.12.2 绝缘性能 (Insulation Performance)

3.12.2.1 绝缘阻抗 (Insulation Impedance)

Note: Primary to Secondary:10 MΩ Min.(Supply 500 VDC) 初级对次级:10MΩ 最小(提供 500VDC)

3.12.2.2 绝缘耐压 (Insulation withstand voltage)

Note: Primary to Secondary 初级对次级:2000VAC 5mA 60S

Disconnect the AC ground and output negative terminal. 交流地和输出负极要断开。

浙江精英新能源有限公司 **Zhejiang JingYing New Energy Co., Ltd.**

3.13 电磁兼容性(EMC)

3.13.1 电磁干扰 (EMI)

电源电磁干扰满足下列规则:

The power station shall be compliant with the following Criterion:

辐射干扰度 (Radiated Emission) :

*EN55022, CLASS B

*GB9254, CLASS B

*FCC PART15 CLASS B

3.13.2 电磁抗扰 (EMS)

电源电磁抗扰满足下列规则:

The power station shall be compliant with the following Criterion:

1) ESD (静电抗扰度) *GB17626.2-1998/IEC61000-4-2

2) EFT (脉冲群抗扰度) *GB17626.4-1998/IEC61000-4-4 1KV

3.14 老化测试标准 Aging test standard

充放电总时间 The total time of charge and discharge:

放电总时间:50 分钟 Total discharge time: 50 minutes

充电总时:10 小时 Total charging time: 10 hours

(备注: 以上均在标准充放电后进行时间测试)

4. 结构参数 Mechanical requirement (单位:mm Unit: mm)

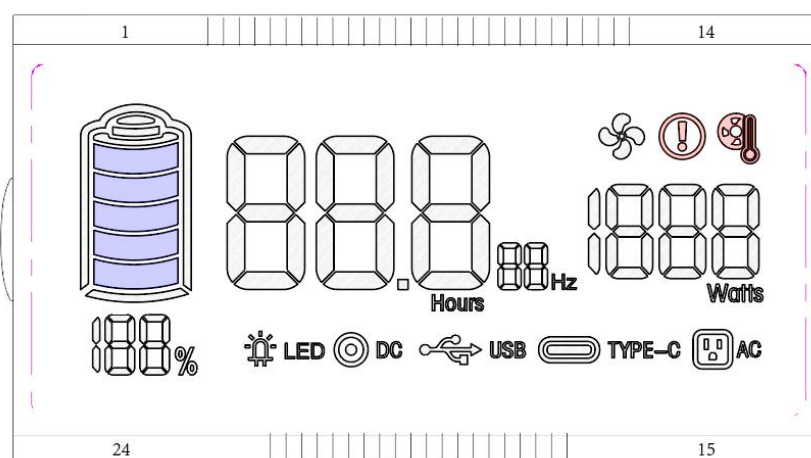
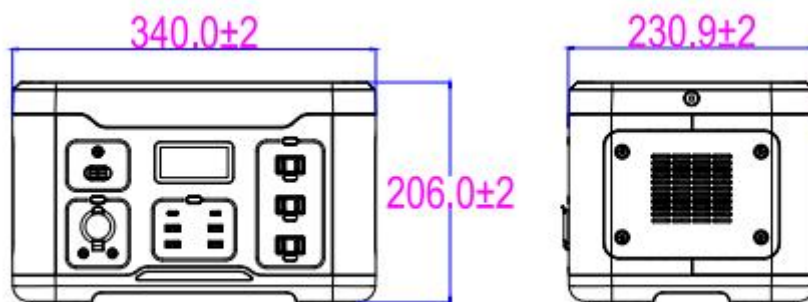
4.1 产品图片 Photo of product



浙江精英新能源有限公司

Zhejiang JingYing New Energy Co., Ltd.

4.2 产品尺寸 Size of product



4.3 铭牌 Nameplate

成品铭牌 Product nameplate



浙江精英新能源有限公司 Zhejiang JingYing New Energy Co., Ltd.

5. 工作环境(Operating Environment)

5.1 环境温度 (Temperature)

* Operating: 0°C to +45°C. * Storage: 15°C to +35°C.

5.2 环境湿度 (Humidity)

* Operating: From 20% to 90% relative humidity (non-condensing).

* Storage: From 5% to 95% relative humidity (non-condensing).

5.3 海拔高度 (Altitude)

* Operating: to 2000m. * Storage: to 2000m.

5.4 冷却方式 (Cooling Method)

* Ventilation cooling . 自然冷却

5.5 振动耐受 (Vibration)

* 10-55Hz, 49.0m/s²(5G), 3minutes period, 60minutes each along X, Y and Z axis.

5.6 冲击耐受 (Impact)

* 196.1m/s²(20G),11ms, once each X, Y and Z axis.

6. 注意事项 Precautions

6.1 请勿放在高温环境中或火边烘烤，或在太阳底下暴晒。

Do not put in high temperature environment or fire side baking, or in the sun in the sun.

6.2 请勿置于水中或在室外淋雨。

do not put it in water or out in the rain.

6.3 请勿在使用环境范围以外的环境使用。

Do not use outside the scope of the environment.

6.4 当应用逆变器时，请消费者使用获得官方认证许可的电气和电子设备。

when applying inverters, consumers are requested to use electrical and electronic equipment that is officially certified and approved.

(Note: All above are tested after standard charge and discharge)

PEP-S1500

Customized Services(Sockets, USB Ports, Design, etc..) are Provided for you



Capacity: 1500 wh



目录 INDEX

1. 应用环境 Application environment
2. 功能特点 Functional features
3. 电源性能指标 Electrical Parameters
 - 3.1基本电气特性 Basic Specification
 - 3.2逆变器输出部分 Inverter
 - 3.3Type-C 输入/输出部分 Type-C Input/Output
 - 3.4Type-C 输出部分 Type-C Output
 - 3.5USB 输出部分 USB Output
 - 3.6USB 快充 QC3.0 输出部分 Quick Charge QC3.0 Output
 - 3.7DC 输出部分 DC Output
 - 3.8点烟口输出 Cigarette Lighter Output
 - 3.9DC 充电部分 DC Input
 - 3.10 无线充 Wireless charger
 - 3.11 电池组部分 Battery Packs
 - 3.12 安全规格 Safety
 - 3.13 电磁兼容性 EMC
 - 3.14 老化测试标准 Aging test standards
4. 结构参数 Mechanical requirement(单位:mm Unit: mm)
 - 4.1产品图片 Photo of the product
 - 4.2产品尺寸 Size of the product
5. 工作环境 Operating Environment
6. 注意事项 Precautions

1.应用环境 Application Environment

1.1 作为储能电源户外办公用电，可以连接手机、平板电脑、笔记本等消费类数码设备。

As an energy storage power for outdoor/office use, it can be connected with mobile phones, tablet computers, laptops and other consumer digital devices.

1.2 户外摄影、越野爱好者野外用电，电视台的摄录设备的户外用电。

Outdoor photography and off-road enthusiasts use electricity in the field, as well as outdoor electricity for TV camera equipment.

1.3 户外照明用电。

Electricity consumption for outdoor lighting.

1.4 矿山、油田、地质勘探、地质灾难救援的应急用电。

Emergency electricity for mine, oil field, geological exploration and geological disaster rescue.

1.5 电信部门野外检修应急用电。

Emergency electricity for field maintenance of telecom department.

1.6 医疗设备小型微型急救仪器应急用电。

Medical equipment small and micro emergency equipment emergency electricity.

1.7 工作环境温度 0°C— +45°C，储存环境温度-10°C— +35°C，工作环境湿度 20%— 90%RH 无冷凝现象(无结露)，储存环境湿度：5%— 95%RH 无冷凝现象(无结露)，海拔高度≤2000 米，自然冷却。

Working environment temperature: 0°C -- +45°C, storage environment temperature: -10°C -- +35°C, working environment humidity: 20% -- 90%RH no condensation (no condensation), storage environment humidity: 5% -- 95%RH no condensation (no condensation), altitude ≤ 2000m, natural cooling.

2.功能特点 Functional features

2.1 容量高、功率大，内置锂电池，备用时间长、转换效率高，容易携带。

High capacity, high power, built-in lithium battery, long standby time, high conversion efficiency, easy to carry.

2.2 正弦波电压电流输出，适应各种不同的负载（40%额定功率的容性负载、60%额定功率感性负载、100%额定功率的阻性负载）。

Pure Sine Wave output, suitable for various loads (capacitive load of 40% rated power, inductive load of 60% rated power, resistive load of 100% rated power).

2.3 本产品逆变部分为单相离线逆变器。

The inverter of this product is single-phase off-line inverter.

2.4 本产品具备四个 USB 输出，具有独立的 OCP、OVP、短路保护，有 ID 自动识别功能。

This product has four USB outputs, independent OCP, OVP, short circuit protection, and automatic ID identification function.

2.5 本产品具备一个 PD 快充功能输入/输出，额定功率 100W。

This product has a PD input/output port with rated power 100W.

2.6 本产品具备一个 PD 快充功能输出，额定功率 27W。

This product has a PD output port with rated power 27W.

2.7 适配器和车充均能输入的宽范围输入电压充电方式，输入电压范围 13-30V。

Wide range of input voltage charging mode that can be input by adapter and car charger, input

浙江精英新能源有限公司

Zhejiang JingYing New Energy Co., Ltd.

voltage range 13-30V.

2.8 具备两个独立的直流输出插口 13V/5A (Max) 和一个点烟器输出 13V/10A(Max)。

There are two separate DC output with 13V/5A (Max) and one Cigarette Output with 13V/10A(Max)

2.9 全面的保护：输入欠压、输出过压、过载、短路、过温。

Full protection: input under voltage, output overvoltage, overload, short circuit, over temperature.

3. 电源性能指标 Electrical parameters

3.1 基本电气特性 Basic Specification

型号 Model No.:	PEP-S1500
容量 Capacity :	1536WH/25.6V/60Ah
电芯型号 Battery	8S4P TB-33138-HE-15Ah-LFP
输出电压 The output voltage	美规/USA 120V ± 10% 日规/Japan 100V ± 10%
输出频率 Output frequency	60Hz ± 2Hz
规格参数 Specification	Input: DC 30V 6.66A Type- C: PD100W 5V3A/9V3A/12V3A/15V3A/20V5A Output: AC: 1500W Pure Sine Wave TYPE-C1: PD100W 5V3A/9V3A/12V3A/15V3A/20V5A TYPE-C2: PD27W 5V3A/9V3A/12V2.25A USB (QC3.0) : 5V3A/9V2A/12V1.5A USB (普通口) : 5V 2.4A x 2 DC : 13V 5A x 2 13V10A 无线充 Wireless charge: 10W
输出过载保护 Output overload protection	1700W ± 100W
出货电量 (SOC before delivery)	60%~ 70%
产品尺寸 Dimension(mm)	340*230.9*276mm ± 2mm

浙江精英新能源有限公司

Zhejiang JingYing New Energy Co., Ltd.

产品净重 Net weight (kg)	19Kg
----------------------	------

3.2 逆变器输出部分 Inverter

输入欠压保护 Input under voltage protection	16.0±0.5V
空载耗电电流 No load consumes electrical current	≤1A
输出电压 The output voltage	美规: 120V±10% 日规: 100V±10%
输出频率 Output frequency	60Hz±2Hz
输出额定功率 Rated Output Power(AC)	1500W
满载工作效率 Full load efficiency	≥85%
输出过载保护 Output overload protection	1700W±100W
输出短路保护 Output short circuit protection	Yes
负载适应性 Load adaptability	40%额定功率的容性负载、60%额定功率感性负载、 100%额定功率的阻性负载 Capacitive load of 40% rated power, inductive load of 60% rated power, resistive load of 100% rated power

3.3 TYPE-C 输入/输出部分 Type-C Input/Output

电池欠压保护 Battery under-voltage protection	16V±0.5V
空载耗电电流 No load consumes electrical current	≤45mA
输入/输出电压 Output voltage	PD 5V-3A/9V-3A/12V-3A/15V-3A/20V-5A ±5%
纹波噪音 Ripple noise	≤300mVp-p
输出过流保护 Output overcurrent protection	3.5A ± 0.3A/5.5A ± 0.3A
满载工作效率 Full load efficiency	≥89%
输出短路保护 Output short circuit protection	Yes

3.4 TYPE-C 输出部分 Type-C Output

电池欠压保护 Battery under-voltage protection	16V±0.5V
--	----------

浙江精英新能源有限公司

Zhejiang JingYing New Energy Co., Ltd.

空载耗电电流 No load consumes electrical current	≤45mA
输出电压 Output voltage	PD 5V-2.4A/9V-3A/12V-2.25A ±5%
纹波噪音 Ripple noise	≤300mVp-p
输出过流保护 Output overcurrent protection	5V-4A ± 0.3A/9V-3.5A ± 0.3A/12V-2.7A ±0.3A
满载工作效率 Full load efficiency	≥89%
输出短路保护 Output short circuit protection	Yes

3.5 USB 输出部分 USB Output

电池欠压保护 Battery under voltage protection	16V±0.5V
空载耗电电流 No load consumes electrical current	≤45mA
输出电压 Output voltage	5V±5%
纹波噪音 Ripple noise	≤300mVp-p
输出额定电流 Output rated current	2.4A
输出过流保护 Output overcurrent protection	3.0A±0.5A
满载工作效率 Full load efficiency	≥89%
输出短路保护 Output short circuit protection	Yes

3.6 USB 快充 QC3.0 输出部分 Quick Charge QC3.0 Output

电池欠压保护 Battery under-voltage protection	16V±0.5V
空载耗电电流 No load consumes electrical current	≤45mA
输出电压 The output voltage	5V/9V/12V ± 5%
纹波噪音 Ripple noise	≤300mVp-p
输出额定电流 Output rated current	3A/2A/1.5A
输出过流保护 Output overcurrent protection	4A ± 0.3A/2.8A ± 0.33A/2.3A ± 0.3A
满载工作效率 Full load efficiency	≥89%
输出短路保护 Output short circuit protection	Yes

3.7 DC 输出部分 DC Output

电池欠压保护 Battery under voltage protection	16V±0.5V
空载耗电电流 No load consumes electrical current	≤50mA
输出电压 The output voltage	13V±5%
输出额定电流 Output rated current	13V/5A
输出过流保护 Output overcurrent protection	5.6A±0.5A
满载工作效率 Full load efficiency	≥95%
输出短路保护 Output short circuit protection	Yes

3.8 点烟口输出 Cigarette Lighter Output

电池欠压保护 Battery under voltage protection	16V±5%
空载耗电电流 Unloading Power Consumption	≤50mA
输出电压 Output voltage	13V±5%
输出额定电流 Output rated current	10A
输出过流保护 Output overcurrent protection	10.6A±0.5A

3.9 DC 充电部分 DC Input

输入额定电压 Input rated voltage	30V
输入电压范围 Input voltage range	13V-30V
输入电流范围 Input current range	6.66A
电池组充电截止电压 Battery pack charging cut-off voltage	29.2V±0.5V

3.10 无线充部分 Wireless charger

项目	标准	备注
额定输出功率	10W	

3.11 电池组部分 Battery Packs

电芯型号 Batteries models	TB-33138-HE-15Ah-LFP	
电芯规格	标称电压 Nominal voltage	3.2V

Batteries specifications	最大充电电压 Maximum charging voltage	3.65V
	放电终止电压 Discharge ending voltage	2.0V
	标准放电 The standard of discharge	0.5C
	标称容量 Nominal Capacity(Typical)	15Ah (0.5C)
	工作温度 Working temperature	充电温度 Charge: 0°C-45°C
放电温度 Discharge: -20°C-60°C		
存储环境 Storage environment		-10°C— +35°C
电芯连接方式 Cell connection mode		8 串 4 并 8S4P
电池组过充保护 Battery overcharge protection		3.65V±25mV@1cell
电池组过放保护 Battery over discharge protection		2.0V±80mV@1cell
电池组过流保护 Battery overcurrent protection		100A
电池组短路保护 Short circuit protection for battery pack		YES
电芯内阻 Internal Resistance		≤2.3m Ω
关机状态消耗电流(自耗电) Current consumption in shutdown state (self-consumption)		50uA

3.11 安全规格 (Safety)

3.11.1 The power station shall be compliant with the following Criterion:

电源安全性满足下列标准

- ① CE
- ② FCC
- ③ PSE
- ④ UN38.3

3.11.2 绝缘性能 (Insulation Performance)

3.10.2.1 绝缘阻抗 (Insulation Impedance)

Note: Primary to Secondary:10 MΩ Min.(Supply 500 VDC) 初级对次级:10MΩ 最小(提供 500VDC)

3.11.2.2 绝缘耐压 (Insulation withstand voltage)

Note: Primary to Secondary 初级对次级:2000VAC 5mA 60S

浙江精英新能源有限公司

Zhejiang JingYing New Energy Co., Ltd.

Disconnect the AC ground and output negative terminal. 交流地和输出负极要断开。

3.12 电磁兼容性(EMC)

3.12.1 电磁干扰 (EMI)

电源电磁干扰满足下列规则:

The power station shall be compliant with the following Criterion:

辐射干扰度 (Radiated Emission) :

*EN55022, CLASS B

*GB9254, CLASS B

*FCC PART15 CLASS B

3.12.2 电磁抗扰 (EMS)

电源电磁抗扰满足下列规则:

The power station shall be compliant with the following Criterion:

1) ESD (静电抗扰度) *GB17626.2-1998/IEC61000-4-2

2) EFT (脉冲群抗扰度) *GB17626.4-1998/IEC61000-4-4 1.5KV

3.13.老化测试标准 Aging test standard

充放电总时间 The total time of charge and discharge:

放电总时间:45 分钟以上 Total discharge time: 45 minutes

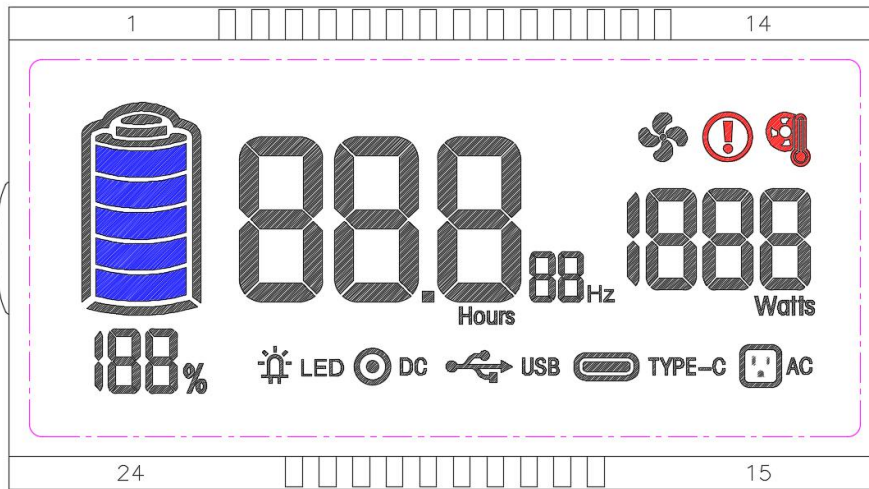
充电总时:10 小时左右 Total charging time: About 10 hours

(备注: 以上均在标准充放电后进行时间测试)

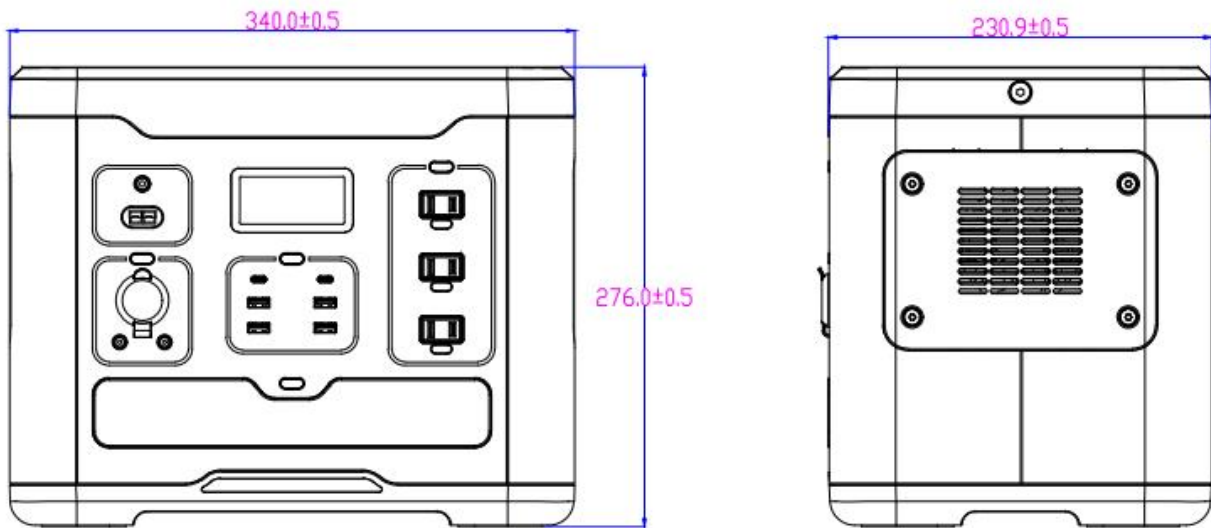
4. 结构参数 Mechanical requirement (单位:mm Unit: mm)

4.1 产品图片 Photo of the product





4.2 产品尺寸 Size of product



4.3 铭牌 Nameplate

成品铭牌 Product nameplate

浙江精英新能源有限公司 Zhejiang JingYing New Energy Co., Ltd.



08.100.01554 参数标贴

尺寸: 99.5*49.5mm

黑底银字 单面背胶

材质: 哑银龙

5. 工作环境(Operating Environment)

5.1 环境温度 (Temperature)

* Operating: 0°C to +45°C. * Storage: -10°C to +35°C.

5.2 环境湿度 (Humidity)

* Operating: From 20% to 90% relative humidity (non-condensing).

* Storage: From 5% to 95% relative humidity (non-condensing).

5.3 海拔高度 (Altitude)

* Operating: to 2000m. * Storage: to 2000m.

5.4 冷却方式 (Cooling Method)

* Ventilation cooling . 自然冷却

5.5 振动耐受 (Vibration)

* 10-55Hz, 49.0m/s²(5G), 3minutes period, 60minutes each along X, Y and Z axis.

5.6 冲击耐受 (Impact)

* 196.1m/s²(20G), 11ms, once each X, Y and Z axis.

6. 注意事项 Precautions

6.1 请勿放在高温环境中或火边烘烤，或在太阳底下暴晒。

Do not put in high temperature environment or fire side baking, or in the sun in the sun.

浙江精英新能源有限公司

Zhejiang JingYing New Energy Co., Ltd.

6.2 请勿置于水中或在室外淋雨。

do not put it in water or out in the rain.

6.3 请勿在使用环境范围以外的环境使用。

Do not use outside the scope of the environment.

6.4 当应用逆变器时，请消费者使用获得官方认证许可的电气和电子设备。

when applying inverters, consumers are requested to use electrical and electronic equipment that is officially certified and approved.

(Note: All above are tested after standard charge and discharge)